

CUNO High Flow Filtration Systems



The 10" CUNO High Flow System is ideally suited for applications where convenience and ease of use are priorities. The system uses 3M Innovation and CUNO's extensive filtration experience to enable flow rates up to 85 gpm in a single cartridge. The Compound Radial Pleat design packs significantly higher usable surface areas per unit volume than can be achieved with conventional pleated cartridge filters.

Features such as an ergonomically designed handle and a "twist-to-lock" seating mechanism facilitate easy operation and maintenance of the filter system. The system is particularly suitable for many OEM applications.

Materials Of Construction

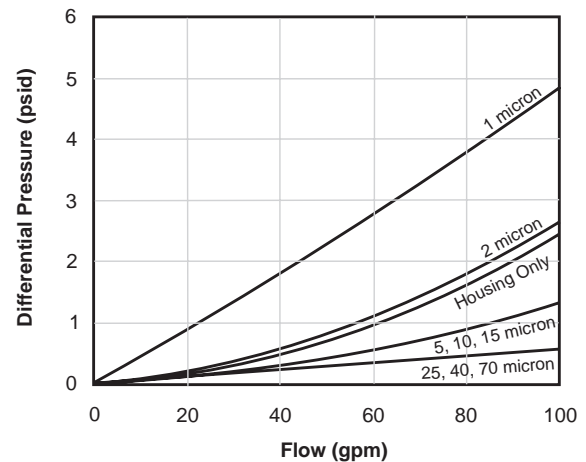
Each grade of the CUNO High Flow Filter is manufactured from meltblown FDA compliant polypropylene microfiber media, providing high particle removal efficiency with broad chemical compatibility.

No adhesives, binders, surfactants, or lubricants are used in the manufacturing process.

Operating Conditions

Maximum Operating Temperature	160°F (71°C)
Maximum Forward Differential Pressure	50 psid @ 68°F (3.4 bar @ 20°C)
Recommended Changeout Pressure	35 psid @ 68°F (2.4 bar @ 20°C)

Typical Housing and Cartridge Flow Rates



Features

- High flow capability of up to 85 gpm per cartridge
- Compound Radial Pleat design
- Compact design
- Absolute rating
- Easy to Use
- FDA compliant

Benefits

- Reduced filter usage – minimizes product loss, labor, disposal costs, operator exposure, and downtime for filter change-out
- High loading capacity for long life and lower cost filtration
- Smaller housing minimizes capital expense requirements
- Reduces system footprint
- Reproducible effluent quality throughout the filter's life
- No special tools or hardware required for filter change-out – minimizes downtime
- "Twist-to-lock" seating mechanism provides positive
- Ergonomically designed handle – facilitates easy cartridge installation and removal
- Suitable for wide range of food and beverage applications

10" Cuno High Flow Housing

The 10" CUNO High Flow Housing is specifically designed to deliver all of the system's benefits in a compact footprint. The housing is designed, manufactured, tested, and code stamped in accordance with ASME Section VIII, Division 1. Vessel construction is 304 stainless steel with a glass-bead finish.

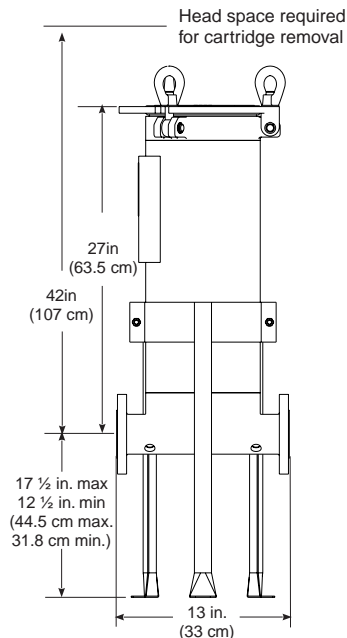
Housing Specification	
Model	1HF10V
Outside Diameter	8 5/8
Number of Filter Elements	1 - 10" Element
Material	304 Stainless Steel
Connection size (inches)	2
Drain Size Inches (NPT)	1/2
Vent or Gauge Size Inches (NPT)	1/4
Approximate Housing Weight (lbs. / kgs)	150 lbs

10" CUNO High Flow ASME Code Housing Ordering Guide

Filter Elements	Model	Size	Configuration	Housing Material	Gasket Material
1	HF	10 - 10 in.	V - Vertical	B - 304 SS	GA - Silicone
					GB - Fluorocarbon
					GC - EPR
					GD - Nitrile

CUNO High Flow Housing Dimensions

Dimensions are for overall space requirements only. For all other uses, request a certified drawing



High Flow 10 Inch Cartridge Ordering Guide

Filter Designation	Element Length (inches)	Material	Absolute Removal Rating (Microns)	O-Ring	Packaging Options (per box)
HF - High Flow	10 - 10 in.	PP - Polypropylene	001 - 1 μm 002 - 2 μm 005 - 5 μm 010 - 10 μm 015 - 15 μm 025 - 25 μm 040 - 40 μm 070 - 70 μm	A - Silicone B - Fluorocarbon C - EPR D - Nitrile	01 - 1 pack

Important Notice

CUNO MAKES NO WARRANTIES, EXPRESS OR IMPLIED, INCLUDING, BUT NOT LIMITED TO, ANY IMPLIED WARRANTY OF MERCHANTABILITY OR FITNESS FOR A PARTICULAR PURPOSE. Since a variety of factors can affect the use and performance of a CUNO product in a particular application, some of which are uniquely within the user's knowledge and control, user is responsible for determining whether or not the CUNO product is fit for a particular purpose and suitable for user's method of application.

Limitation of Remedies and Liability

If the CUNO product is proved to be defective, THE EXCLUSIVE REMEDY, AT CUNO'S OPTION, SHALL BE TO REFUND THE PURCHASE PRICE OR TO REPAIR OR REPLACE THE DEFECTIVE PRODUCT. CUNO shall not otherwise be liable for loss or damages, whether direct, indirect, special, incidental or consequential, regardless of the legal theory asserted, including, but not limited to, contract, negligence, warranty or strict liability.

LIMITED WARRANTY

Seller warrants its equipment against defects in workmanship and material for a period of 12 months from date of shipment from the factory under normal use and service and otherwise when such equipment is used in accordance with instructions furnished by Seller and for purposes disclosed in writing at the time of purchase, if any. Any unauthorized alteration or modification of the equipment by Buyer will void this warranty. Seller's liability under this warranty shall be limited to the replacement or repair, F.O.B. point of manufacture, of any defective equipment or part which, having been returned to the factory, transportation charges prepaid, has been inspected and determined by the Seller to be defective.

THIS WARRANTY IS IN LIEU OF ANY OTHER WARRANTY, EITHER EXPRESSED OR IMPLIED, AS TO DESCRIPTION, QUALITY, MERCHANTABILITY, FITNESS FOR ANY PARTICULAR PURPOSE OR USE, OR ANY OTHER MATTER. Under no circumstances shall Seller be liable to Buyer or any third party for any loss of profits or other direct or indirect costs, expenses, losses or consequential damages arising out of or as a result of any defects in or failure of its products or any part or parts thereof or arising out of or as a result of parts or components incorporated in Seller's equipment but not supplied by the Seller.



a 3M company

CUNO Incorporated

400 Research Parkway
 Meriden, CT 06450, U.S.A.
 Tel: (800) 243-6894
 (203) 237-5541
 Fax: (203) 630-4530
 www.cuno.com